

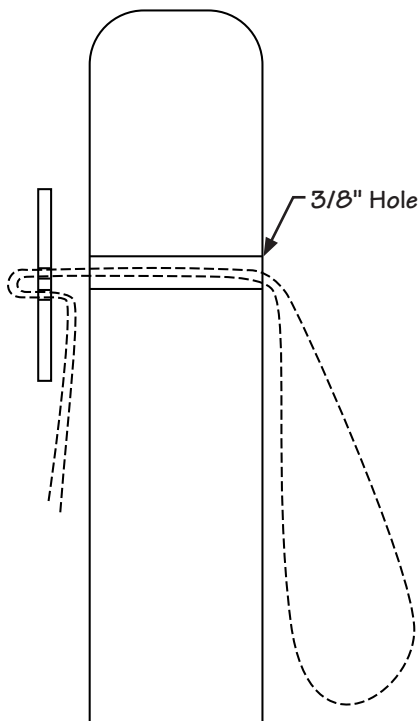
# CONCHO & LANYARD ASSEMBLY

## STEP 1.

Drill a  $\frac{3}{8}$ " hole through the walking stick about 2" above the grip area.

## STEP 2.

Thread the ends of the lanyard through the hole and secure with concho as shown.



1-800-598-2743  
[www.treelineusa.com](http://www.treelineusa.com)